

# TOTALPAC<sup>®</sup>X

## Integrated Fire Protection Systems

Once again, **FIREFLEX<sup>®</sup> Systems** rises to the occasion to address specific industry needs and to provide innovative fire protection solutions adapted for challenging applications.

Introducing the **TOTALPAC<sup>®</sup>X**, designed for indoor/outdoor installations and corrosive environments.



### FEATURES

- easy and compact installation
- wide door for easy access
- NEMA 3 or NEMA 4 construction
- quarter turn door latches
- lockable door to protect against tampering
- lifting lugs provided for safe and easy handling
- corrosion resistant paint finish
- water supply connection piped through the bottom center of the unit to avoid freeze-up potential
- single drain connection
- serial number for easy reference

### SYSTEM OPTIONS

- NEMA 3X or NEMA 4X stainless steel cabinet construction for corrosive environments
- insulated cabinet, with heater, providing freeze protection down to a temperature of 14° F (-10°C)
- door activated light kit
- low temperature sensor



## TOTALPAC®X DESCRIPTION

The TOTALPAC®X is available in the following system types:

standard preaction, SUREFIRE® preaction, deluge, all FIRECYCLE® III configurations, dry pipe and wet pipe integrated fire protection systems.

### NEMA 3\*

Enclosures constructed for either indoor or outdoor use to provide a degree of protection of the equipment inside the enclosure against ingress of solid foreign objects (falling dirt and windblown dust); to provide a degree of protection with respect to harmful effects on the equipment due to the ingress of water (rain, sleet, snow); and that will be undamaged by the external formation of ice on the enclosure.

### NEMA 4\*

Enclosures constructed for either indoor or outdoor use to provide a degree of protection of the equipment inside the enclosure against ingress of solid foreign objects (falling dirt and windblown dust); to provide a degree of protection with respect to harmful effects on the equipment due to the ingress of water (rain, sleet, snow, splashing water, and hose directed water); and that will be undamaged by the external formation of ice on the enclosure.

### NEMA 3X\*

Enclosures constructed for either indoor or outdoor use to provide a degree of protection of the equipment inside the enclosure against ingress of solid foreign objects (falling dirt and windblown dust); to provide a degree of protection with respect to harmful effects on the equipment due to the ingress of water (rain, sleet, snow); that provides an additional level of protection against corrosion and that will be undamaged by the external formation of ice on the enclosure.

### NEMA 4X\*

Enclosures constructed for either indoor or outdoor use to provide a degree of protection of the equipment inside the enclosure against ingress of solid foreign objects (windblown dust); to provide a degree of protection with respect to harmful effects on the equipment due to the ingress of water (rain, sleet, snow, splashing water, and hose directed water); that provides an additional level of protection against corrosion; and that will be undamaged by the external formation of ice on the enclosure.

## COMPARISON OF SPECIFIC NON-HAZARDOUS APPLICATIONS\*

Provides a Degree of Protection Against the Following Environmental Conditions	TYPE OF ENCLOSURE			
	3 <sup>a</sup>	3X <sup>a</sup>	4	4X
Incidental contact with the enclosed equipment	•	•	•	•
Rain, snow, and sleet	•	•	•	•
Hose-down and splashing water			•	•
Corrosive agents		•		•
Ingress of solid foreign objects (Circulating or settling airborne dust, lint, fibers, and flyings) <sup>b</sup>			•	•
Ingress of solid foreign objects (Windblown dust, lint, fibers, and flyings) <sup>b</sup>	•	•	•	•

\* Reprinted from NEMA 250-2003 by permission of the National Electrical Manufacturer's Association.

## AIR SUPPLY FOR CABINETS

The automatic sprinkler piping is supervised by compressed air from a source installed inside or outside the cabinet. The air supply must be regulated. When the compressor option is selected (air supply style "A"), the motor must be sized to restore normal system air pressure within 30 minutes as per NFPA 13 requirements.

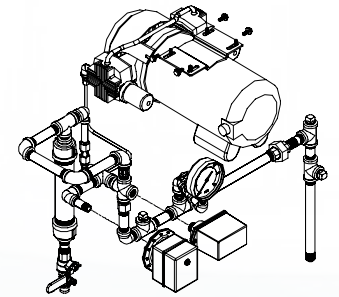
- Air supply style "A":** is used to supervise the sprinkler piping network of dry or preaction systems. This option includes an oilless piston-type air compressor with supervisory trim integrated into the TOTALPAC®X cabinet and factory piped to the system riser.

Air compressors have open, single-phase motors with internal thermal protection.

### AVAILABLE IN 4 SIZES

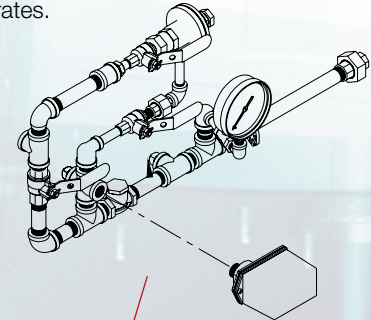
HP	VAC / Hz	
1/6	120/60	220/50
1/3	120/60	220/50
1/2	120/60	220/50
1	120/60	220/50

AIR SUPPLY STYLE "A"



- Air supply style "B":** is provided with an air pressure maintenance device factory mounted and adjusted in the TOTALPAC®X cabinet and piped to the air inlet port of the unit. Used to supervise the sprinkler piping network of dry or preaction sprinkler systems when the external air supply (by tank-mounted air compressor, plant air or dry nitrogen cylinders) is provided by others.

**Note:** the air supply must be restricted to ensure that it cannot replace air as fast as it escapes when a releasing device or sprinkler operates.



AIR SUPPLY STYLE "B"

- Air supply style "C":** is provided with an air pressure maintenance device factory mounted in the TOTALPAC®X cabinet. Used only for the pilot line of a pneumatically operated system.

- Air supply style "D":** is provided with an air supervisory switch and shut-off trim. Used for freezer application with external air supply and regulation.

<sup>a</sup>: these enclosures may be ventilated.

<sup>b</sup>: these fibers and flyings are nonhazardous materials and are not considered class III type ignitable fibers or combustible flyings.

## TOTALPAC®X OPTIONS

### HEATER OPTION

Heater option is recommended where ambient temperature can drop below 40°F (4.5°C). The cabinet's electric heater temperature cut-out point is set at 50°F (10°C). The heater option is equipped with a low temperature sensor that will activate a supervisory signal when temperature drops below 40±5°F (4.5±3°C).

**Warning:** TOTALPAC®X cabinet is rated to provide freeze protection down to a minimum temperature of 14°F (-10°C).



### LOW TEMPERATURE SENSOR

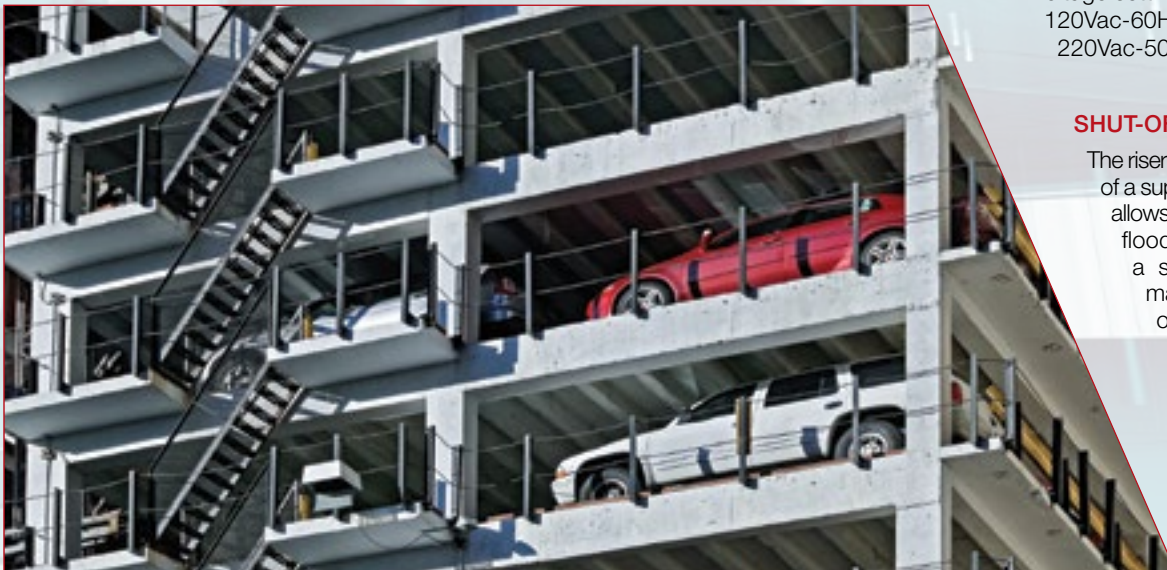
The low temperature sensor will close the normally open contact when the temperature drops below 40°F (4.5°C).

The sensor will automatically reset to its normal state when the temperature rises above 40°F (4.5°C).



### INSULATED ENCLOSURE

Insulation is made on foam core 2" thick R13 and have a foil-faced sheathing board composed of a uniform closed cell polyisocyanurate foam core bonded on each side to a triminate foil facer. One side has a foil reflective facer and the other side has a non-reflective foil facer.



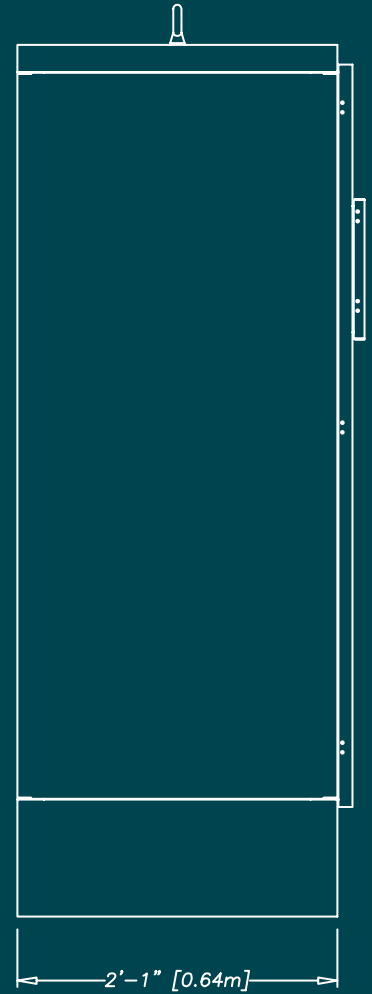
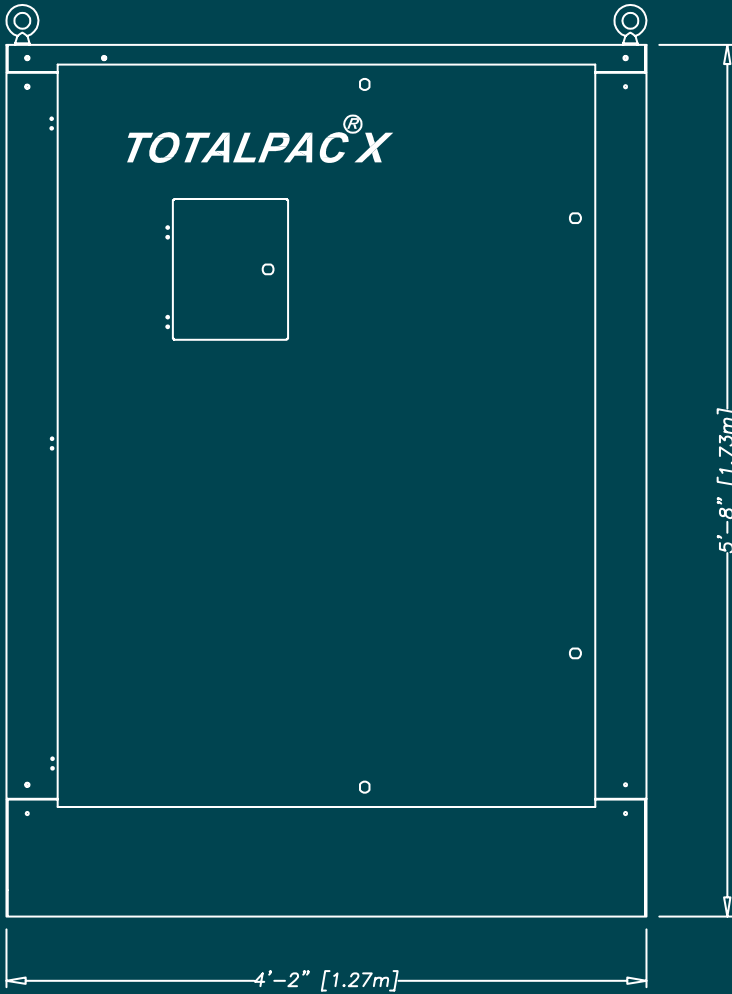
### LIGHT OPTION

- optional fluorescent enclosure light is available for all cabinet configurations
- remote door switch activates the light when the door is opened
- light option can be ordered in two supply voltage settings:
  - 120Vac-60Hz
  - 220Vac-50Hz

### SHUT-OFF VALVE OPTION

The riser shut-off valve option consists of a supervised butterfly valve which allows for a full flow trip test without flooding the system piping and a sight glass located on the main drain for visual indication of the water flow.

**TOTALPAC®X CABINET DIMENSIONS**



**SELECTION CHART**

SYSTEM TYPE	TYPE OF ENCLOSURE			
	3	3X	4	4X
Wet Pipe	•	•	•	•
Dry Pipe	•	•	••	••
Deluge	•	•	•	•
Preaction, standard single or double interlocked, or Surefire®	•	•	••	••
Firecycle® wet, dry, deluge, preaction single or double interlocked	•	•	••	••

•• Available with air option "B" only.



FM-07QV-0-19D  
Printed in Canada

1935 Lionel-Bertrand Blvd., Boisbriand (QC) Canada J7H 1N8 | Phone: 450-437-3473  
Toll Free: 1-866-347-3353 | Fax: 450-437-1930 | Email: info@fireflex.com



**WWW.FIREFLEX.COM**