

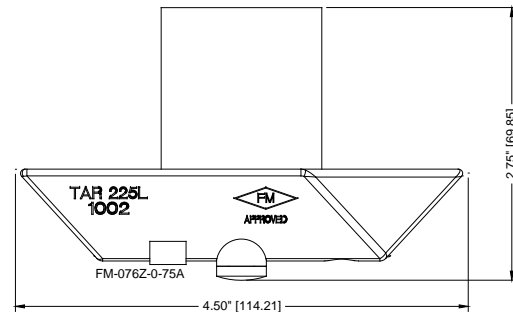


DESCRIPTION

FireFlex ICAF Nozzle Model TAR 225L is an open type (deluge) non-automatic nozzle specifically designed to be used with the FireFlex ICAF System. TAR-225L Nozzles are used on local applications where flammable or combustible liquid spills can occur on surfaces other than horizontal and may result in a cascading pool fire. Flammable liquids can be both hydrocarbons and polar solvents. The specific hazard configuration will therefore be designed to provide a specific CAF discharge over the protected surfaces or areas. Located near and directly aimed at the surface to be protected, the TAR 225L can be used for most Class B fire applications presently using AFFF foam concentrate or water spray systems. During fire conditions the ICAF Nozzle is designed to discharge CAF solution in a 360° radius toward the surface covered.

Nozzle spacing and location

The TAR 225L nozzle spacing shall be based on the spray pattern design principle. Based on the distribution patterns shown on next page, nozzles shall be spaced and aimed so that their spray patterns will cover all surfaces adequately.



Characteristic

Nominal flow:	5.94 gpm (22.5 lpm)
Nominal expansion:	10:1
Connection:	1" NPT, Female

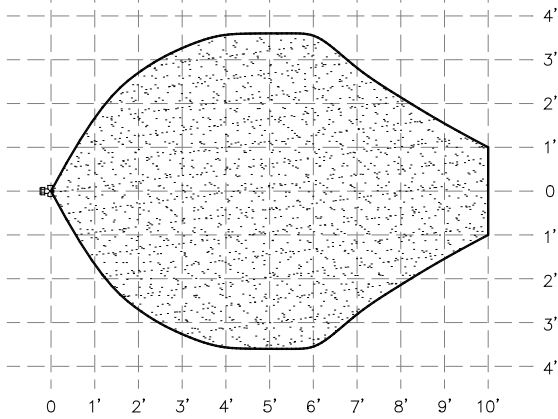
Nozzle materials:

Base:	Stainless Steel 300
Tee:	Stainless Steel 300
Shaft:	Stainless Steel 300

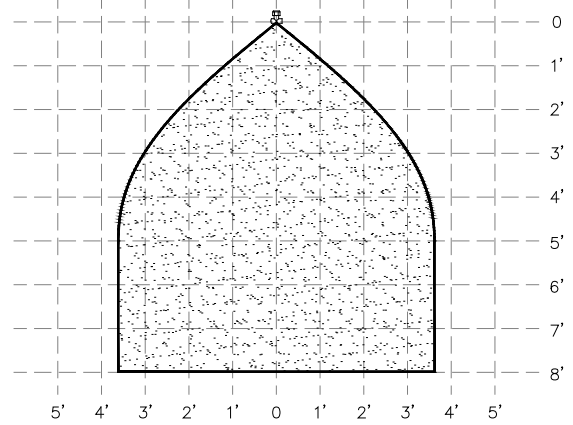
Nozzle dimensions & distribution patterns:



HORIZONTAL DISCHARGE



VERTICAL DISCHARGE



FIREFLEX Systems Inc.
1935, Lionel-Bertrand Blvd.
Boisbriand, Quebec
Canada J7N 1N8
Toll Free: (866) 347-3353
Website: www.fireflex.com